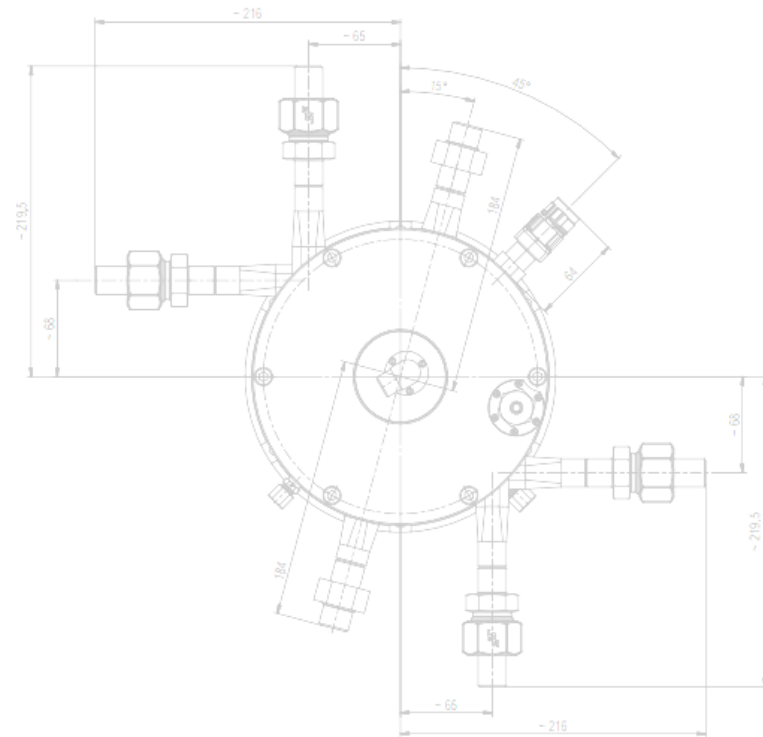
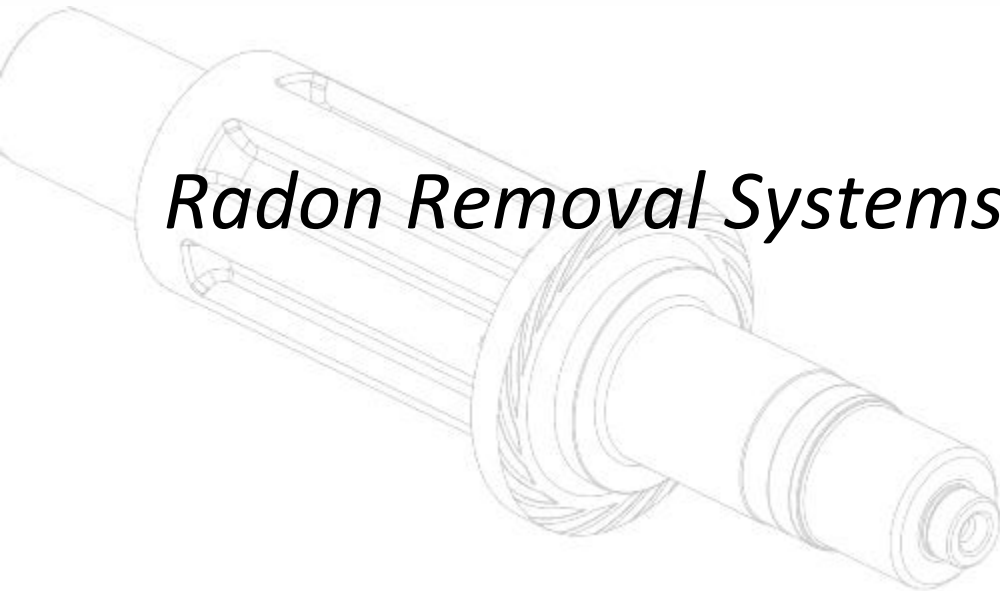


ATEKO a.s.

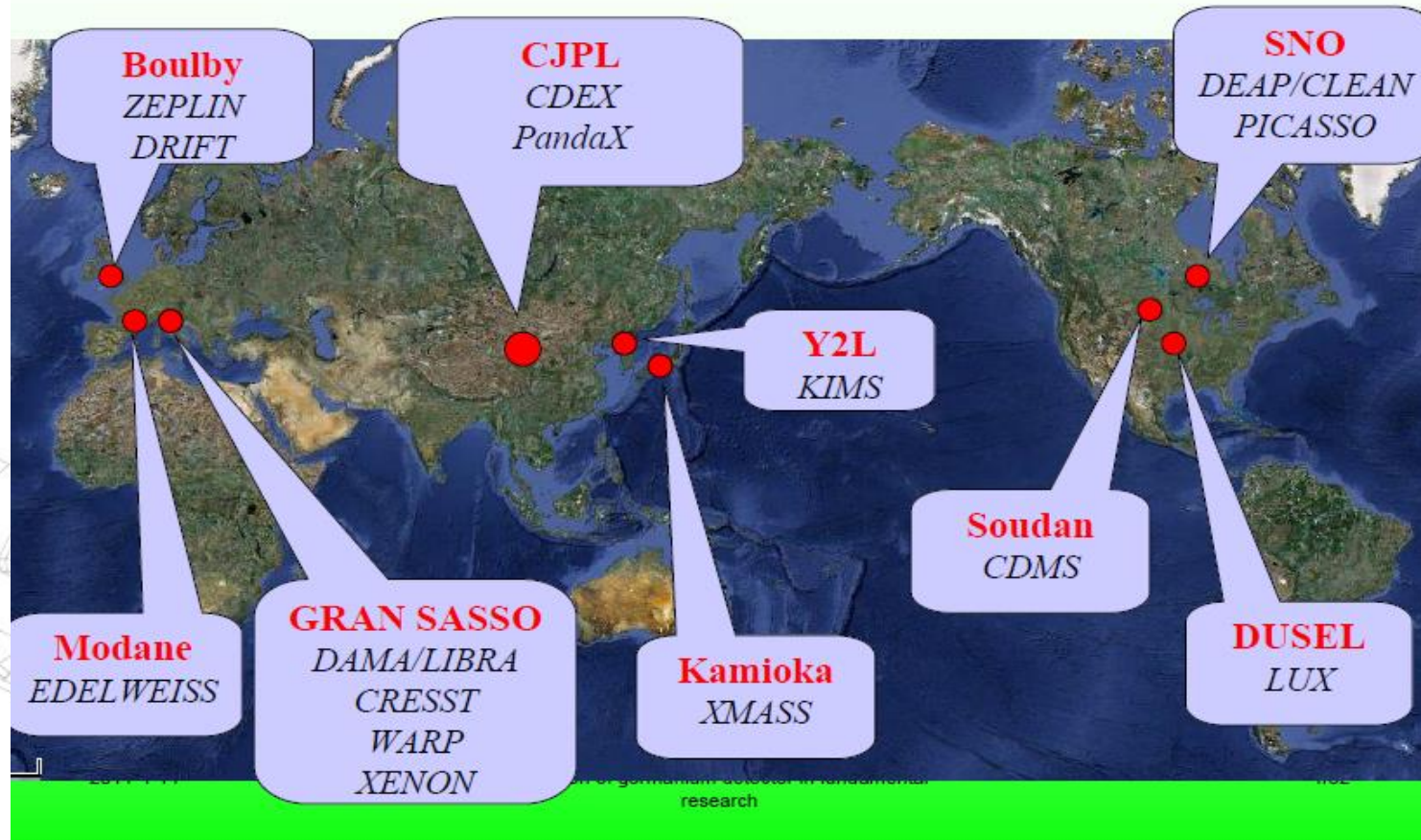
1949 – 2020

Radon Removal Systems



Radon Removal Systems (RRS) – Main Customers

International Main Underground Laboratories



RRS – Main Projects 1

International Underground Laboratories - Radon Removal Systems

Deliveries for laboratories:

- Modane, France, 2004,
- Gran Sasso, Italy, 2011-12,
- Czech Technical University, Czech Republic, 2013
- Y2L, Korea, 2015
- LSC, Spain, 2015
- SURF, USA, 2017
- Jin Ping, China, 2018 (commissioned in 2019)

Technical data:

- Air flow 120 – 300 m³/h
- Input radon concentration 20 - 100 bq/m³
- Reduction of radon concentration 1000
- Output air humidity -70°C



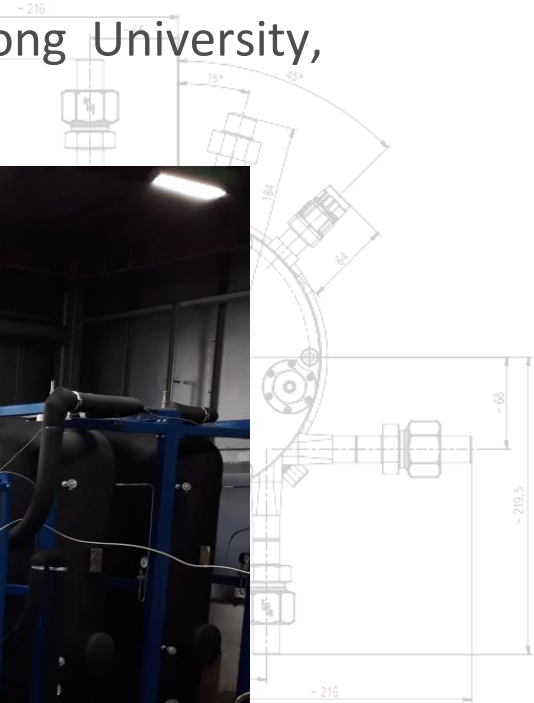
RRS – Main Projects 2

- » 2019 – Radon Removal System, China Shanghai Jiao Tong University, located at Jin Ping Underground Laboratory, China – On-site Commissioning



RRS – Main Projects 3

- » 2018 – Radon Removal System, China Shanghai Jiao Tong University, located at Jin Ping Underground Laboratory, China



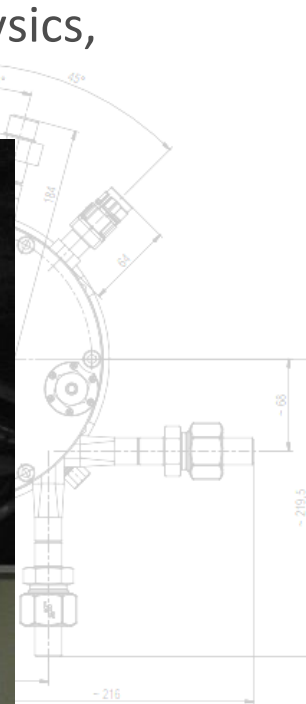
RRS – Main Projects 4

- » 2017 – Radon Removal System, SURF South Dakota Science and Technology Authority , USA



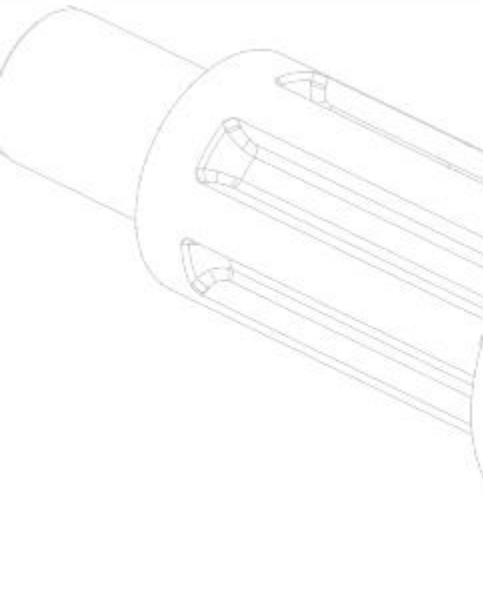
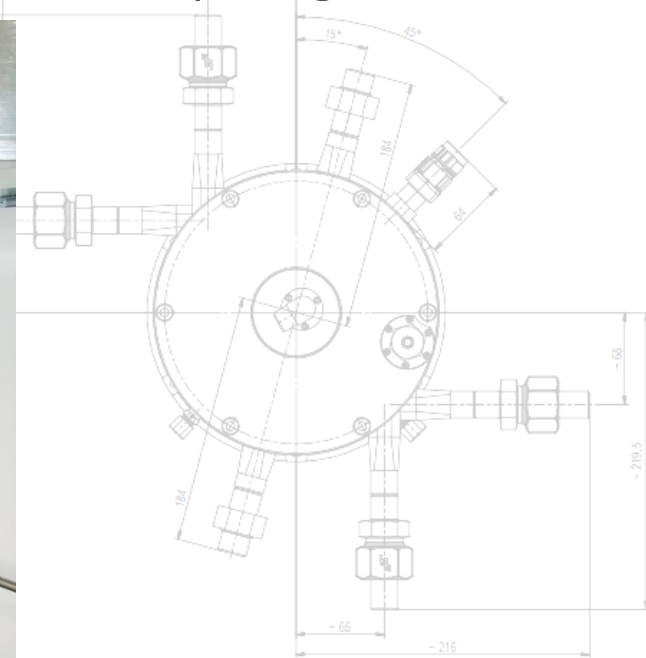
RRS – Main Projects 5

- » 2015 – Radon Removal System, Y2L Centre for Underground Physics, Korea & Laboratorio Subterráneo Calfranc, Spain



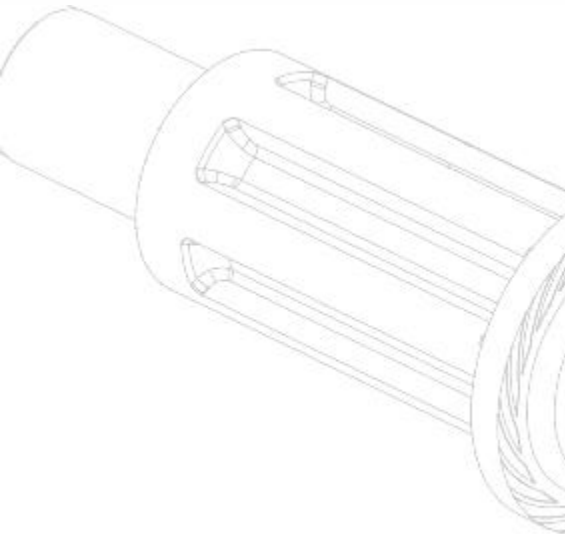
RRS – Main Projects 6

- » 2013 – Radon Removal System, Czech Technical University, Prague, CZ



RRS – Main Projects 7

- » 2012 – Radon Removal System, University of Princeton,²¹⁶ USA, located at National Laboratory Gran Sasso, Italy



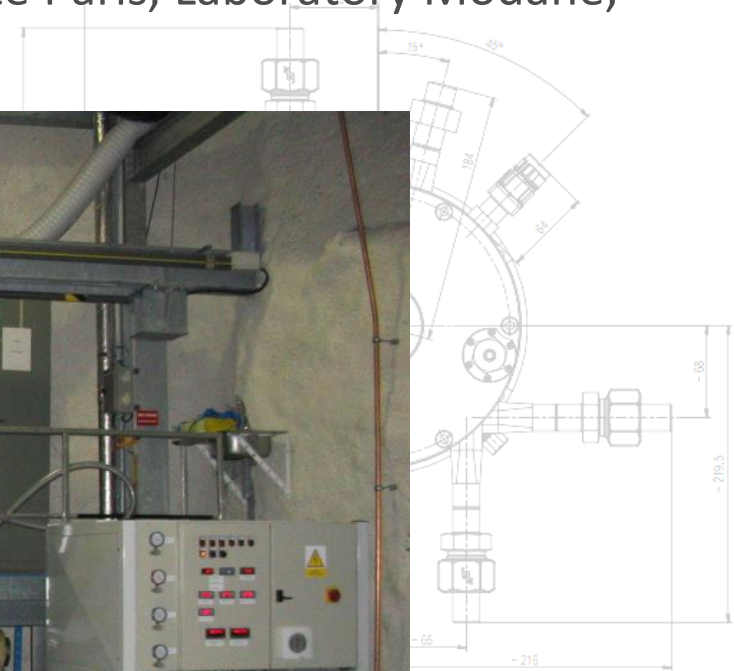
RRS – Main Projects 8

- » 2011 – Radon Reduction System, Lawrence Berkeley Laboratory, USA, located at Laboratorio Nazionale Gran Sasso, Italy



RRS – Main Projects 9

- » 2004 – Radon Removal System, LAL Université Paris, Laboratory Modane, France



Thank you for your attention

<http://www.ateko.cz>

ateko@ateko.cz

